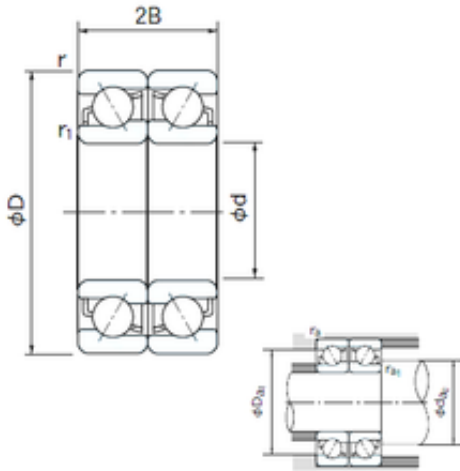




# Ligao Mechanical Bearing Co., Ltd



7322CDF Bearing 2D drawings and 3D CAD models

110 mm x 240 mm x 50 mm NACHI 7322CDF  
angular contact ball bearings

Bearing No. 7322CDF

Size	110x240x50 mm
Bore Diameter	110 mm
Outer Diameter	240 mm
Width	50 mm
d	110 mm
D	240 mm
B	50 mm
C	50 mm
Angle ( ° )	15 °
a -	4.7 mm
r min.	3 mm
r1 min.	1.1 mm
2B	100 mm
da min.	124 mm
Da max.	233 mm
ra max.	1 mm
Weight	11.0 Kg
Basic dynamic load rating (C)	385 kN
Basic static load rating (C0)	455 kN
(Grease) Lubrication Speed	3700 r/min
Bore Type	Cylindrical Bore
Enclosure	Open
Configuration	Duplex
Bore Size	110 mm
Outside Diameter	240 mm



## Ligao Mechanical Bearing Co., Ltd

Width	50 mm
Fillet Radius/Chamfer	3 mm
r1	1.1 mm
Dynamic Load Rating	385,000 N
Static Load Rating	455,000 N
Limiting Speed - Grease	3,700 rpm
Limiting Speed - Oil	5,000 rpm
da1 (min)	124 mm
da2 (min)	124 mm
Da1 (max)	226 mm
Da2 (max)	233 mm
ra (max)	2.5 mm
ra1 (max)	1 mm