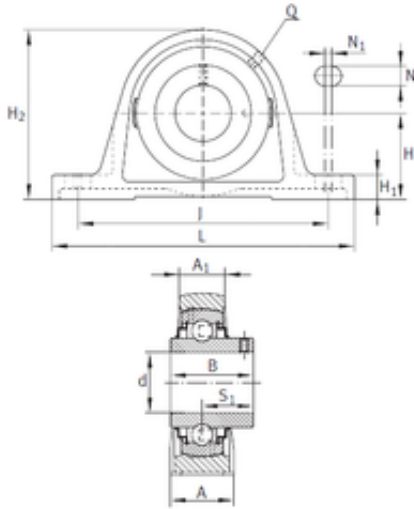




Ligao Mechanical Bearing Co., Ltd



INA RAKY2-3/16 bearing units

Bearing No. RAKY2-3/16

Bore Diameter	55,563 mm
d	55,563 mm
S1	33,401 mm
Thread (Q)	1/8 NPT
A	62,51 mm
A1	35,002 mm
B	55,601 mm
H	61,9 mm
H1	23,394 mm
H2	124,892 mm
J	175,743 mm
L	224,994 mm
N	18,009 mm
N1	11,253 mm
Category	Pillow Block Bearings
Inventory	0.0
Manufacturer Name	SCHAEFFLER GROUP
Minimum Buy Quantity	N/A
Weight / Kilogram	3.682
Product Group	M06110
Number of Mounting Holes	2
Mounting Method	Eccentric Collar
Housing Style	2 Bolt Pillow Block
Rolling Element	Ball Bearing
Housing Material	Cast Iron
Expansion / Non-expansion	Non-expansion

RAKY2-3/16 Bearing 2D drawings and 3D CAD models



Ligao Mechanical Bearing Co., Ltd

Relubricatable	Yes
Insert Part Number	GY1203KRRB
Seals	Double Land Riding Rubber Contact
Housing Configuration	1 Piece Solid
Inch - Metric	Inch
Other Features	Single Row Radial Low Base With Set Screw
Long Description	2 Bolt Pillow Block; 2-3/16" Bore; 2-7/16" Base to Center Height; Eccentric Collar Mount; Ball Bearing; 6.476" Minimum Bolt Spacing; 7.362" Bolt Spacing Maximum; Relubricatable; Ca
Category	Pillow Block
UNSPSC	31171511
Harmonized Tariff Code	8483.20.40.40
Noun	Bearing
Keyword String	Pillow Block
Manufacturer URL	http://www.ina.com
Manufacturer Item Number	RAKY2-3/16HLC
Weight / LBS	8.117
Nominal Bolt Center to Center	6.8 Inch 172.7 Millimeter
Bolt Spacing Maximum	7.362 Inch 186.995 Millimeter
Bore	2.188 Inch 55.575 Millimeter
Base to Center Height	2.438 Inch 61.925 Millimeter
Length Thru Bore	2.189 Inch 55.601 Millimeter
Bolt Spacing Minimum	6.476 Inch 164.49 Millimeter