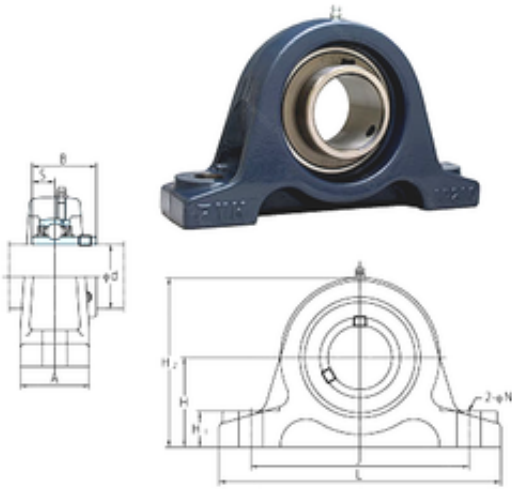




# Ligao Mechanical Bearing Co., Ltd

## FYH UCIP209-26 bearing units

Bearing No. UCIP209-26



UCIP209-26 Bearing 2D drawings and 3D CAD models

Bore Diameter	41,275 mm
Width	49,2 mm
d	41,275 mm
A	60 mm
B	49,2 mm
H	70 mm
H1	25 mm
H2	128 mm
J	160 mm
L	210 mm
N	19 mm
S	19 mm
Bolt (G)	M16
Weight	3,9 Kg
Basic dynamic load rating (C)	34,1 kN
Basic static load rating (C0)	21,3 kN