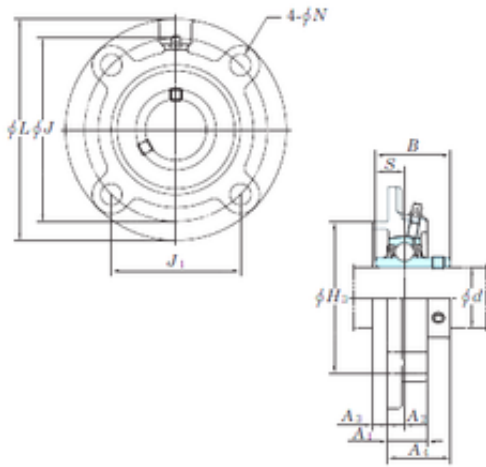




# Ligao Mechanical Bearing Co., Ltd



UCFCX10 Bearing 2D drawings and 3D CAD models

## KOYO UCFCX10 bearing units

Bearing No. UCFCX10

Bore Diameter	50 mm
d	50 mm
H3	118 mm
A4	40,4 mm
A1	25 mm
B	55,6 mm
J	136 mm
L	162 mm
N	14 mm
S	22,2 mm
Bolt (G)	M12
A2	7 mm
A3	16 mm
J1	96,2 mm
Weight	3,2 Kg
Basic dynamic load rating (C)	43,4 kN
Basic static load rating (C0)	29,4 kN
Bearing No.	UCFCX10
Bolt size	M12
Cr	43.4
C0r	29.4
f0	14.4
(Refer.)Unit mass(kg)	3.2
Nipple size	R1/8