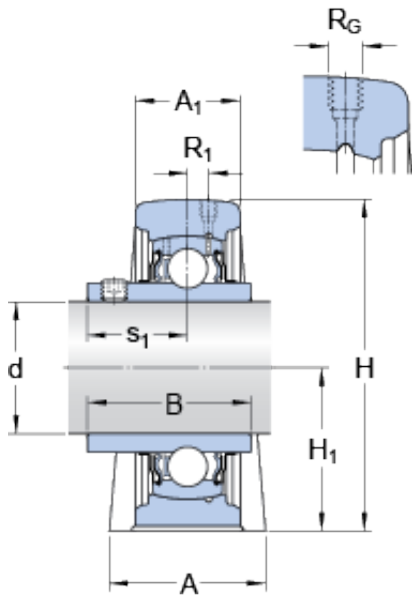




Ligao Mechanical Bearing Co., Ltd



SYF 20 TF Bearing 2D drawings and 3D CAD models

SKF SYF 20 TF bearing units

Bearing No. SYF 20 TF

Size	20x32x21 mm
Bore Diameter	20 mm
Outer Diameter	32 mm
Width	21 mm
d	20 mm
A	32 mm
A ₁	21 mm
B	31 mm
H	64.5 mm
H ₁	33.3 mm
J	50.8 mm
L	65 mm
s ₁	18.3 mm
D _N	6.5 mm
SW _N	7 mm
G _N - 1/4-28 SAE-LT	1/428 SAELT
R _G - 1/4-28 UNF	1/428 UNF
R ₁	2 mm
R	45 °
Basic dynamic load rating - C	12.7 kN
Basic static load rating - C ₀	6.6 kN
Fatigue load limit - P _u	0.28 kN
Limiting speed	8500 r/min
Calculation factor - f ₀	13



Ligao Mechanical Bearing Co., Ltd

Weight	0.43 kg
Housing thread for attachment bolts - G	M8
Thread length - G ₁	14 mm
Hexagonal key size for grub screw - H	3 mm
Recommended tightening torque for grub screw	4 N · m
Housing	SYF 504
Category	Pillow Block Bearings
Inventory	0.0
Manufacturer Name	SKF
Minimum Buy Quantity	N/A
Weight / Kilogram	0.43
EAN	7316571042435
Product Group	M06110
Number of Mounting Holes	2
Mounting Method	Set Screw
Housing Style	2 Bolt Tap Base Pillow Block
Rolling Element	Ball Bearing
Housing Material	Cast Iron
Expansion / Non-expansion	Non-expansion
Mounting Bolts	8 Millimeter
Relubricatable	Yes
Insert Part Number	YAR 204-2F
Seals	M Seal
Housing Configuration	1 Piece Solid
Inch - Metric	Metric
Other Features	Single Row Short Base Y Bearing With Grub Screw
Long Description	2 Bolt Tap Base Pillow Block; 20MM Bore; 33.3MM Base to Center Height; Set Screw Mount;



Ligao Mechanical Bearing Co., Ltd

	Ball Bearing; Relubricatable; Cast Iron; M Seal; Non- expansion
Category	Pillow Block
UNSPSC	31171511
Harmonized Tariff Code	8483.20.40.40
Noun	Bearing
Keyword String	Pillow Block
Manufacturer URL	http://www.skf.com
Manufacturer Item Number	SYF 20 TF
Weight / LBS	0.948
Bolt Spacing Minimum	0 Inch 0Millimeter
Nominal Bolt Center to Center	2 Inch 52 Millimeter
Bore	0.787 Inch 20 Millimeter
Base to Center Height	1.311 Inch 33.3 Millimeter
Bolt Spacing Maximum	0 Inch 0Millimeter
Actual Bolt Center to Center	2 Inch 52Millimeter
Length Thru Bore	1.22 Inch 31 Millimeter
Housing material	Cast iron
A ₁	21 mm
B ₄	4.5 mm
H ₁	33.3 mm
s ₁	18.3 mm
R _G	1/4-28 UNF
R ₁	2 mm
R	45 °
D _N	6.5 mm
SW _N	7 mm
G _N	1/4-28 SAE-LT
Basic dynamic load rating C	12.7 kN
Basic static load rating C ₀	6.55 kN



Ligao Mechanical Bearing Co., Ltd

Fatigue load limit P_u	0.28 kN
Mass bearing unit	0.43 kg
Housing thread for attachment bolts G	M8
Thread length G_1	14 mm
Thread grub screw G_2	M6x0.75
Hexagonal key size for grub screw N	3 mm
Bearing	YAR 204-2F