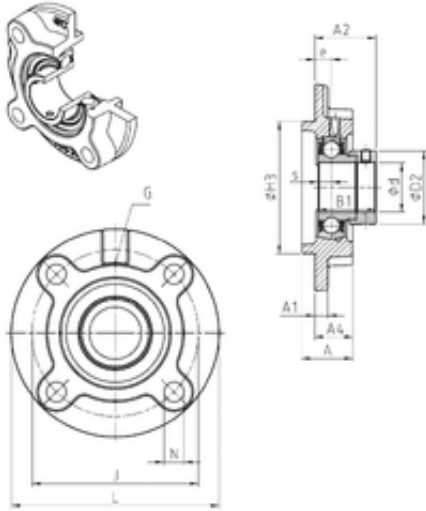




Ligao Mechanical Bearing Co., Ltd



SNR ESFC205 bearing units

Bearing No. ESFC205

Bore Diameter	25 mm
d	25 mm
H3	70 mm
A4	21 mm
e	10 mm
s	7,5 mm
A	27 mm
A1	7 mm
B1	30,9 mm
D2	38,1 mm
J	90 mm
L	115 mm
N	12 mm
Thread (G)	M6x1
A2	33,4 mm
Weight	0,9 Kg
Basic dynamic load rating (C)	14 kN

ESFC205 Bearing 2D drawings and 3D CAD models