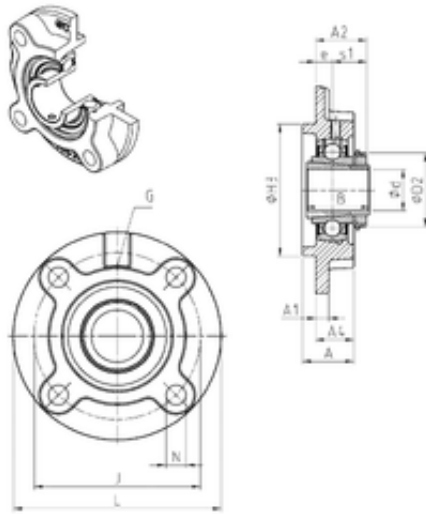




# Ligao Mechanical Bearing Co., Ltd



## SNR UKFC205H bearing units

Bearing No. UKFC205H

Bore Diameter	20 mm
d	20 mm
H3	70 mm
A4	21 mm
e	10 mm
s1	18,5 mm
A	27 mm
A1	7 mm
B	35 mm
D2	38 mm
J	90 mm
L	115 mm
N	12 mm
Thread (G)	M6x1
A2	28,5 mm
Weight	1 Kg
Basic dynamic load rating (C)	14 kN

UKFC205H Bearing 2D drawings and 3D CAD models