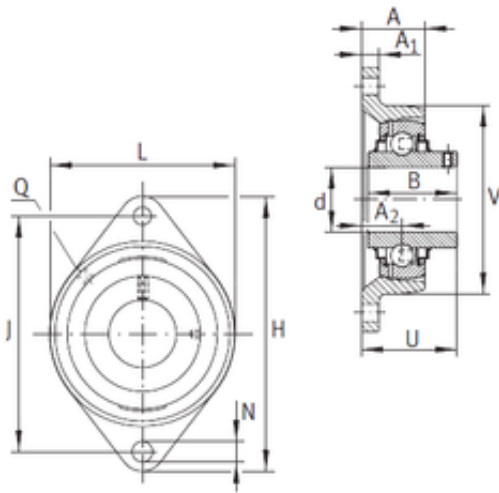




Ligao Mechanical Bearing Co., Ltd

INA RCJTY40-JIS bearing units



Bearing No. RCJTY40-JIS

Bore Diameter	40 mm
d	40 mm
Q	M6
U	51,2 mm
A	36 mm
A1	16 mm
B	49,2 mm
H	175 mm
J	144 mm
L	100 mm
N	16 mm
A2	21 mm
Weight	1,51 Kg
Basic dynamic load rating (C)	32,5 kN

RCJTY40-JIS Bearing 2D drawings and 3D CAD models