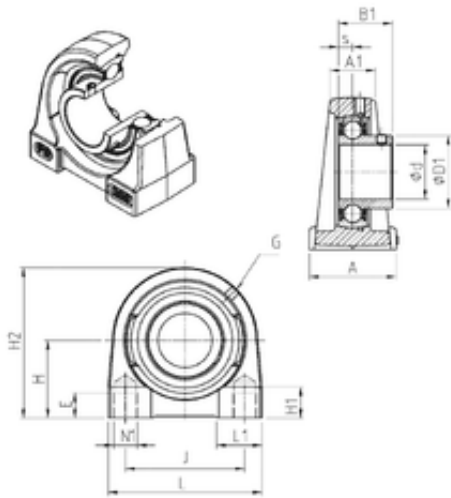




Ligao Mechanical Bearing Co., Ltd



SNR USP202 bearing units

Bearing No. USP202

Bore Diameter	15 mm
d	15 mm
s	6 mm
A	30 mm
A1	13 mm
B1	22 mm
D1	24,6 mm
E	15 mm
H	30,2 mm
H1	14 mm
H2	57 mm
J	38 mm
L	55 mm
L1	17 mm
Thread (G)	M6x1
Thread (N1)	M6
Weight	0,3 Kg
Basic dynamic load rating (C)	9,55 kN

USP202 Bearing 2D drawings and 3D CAD models