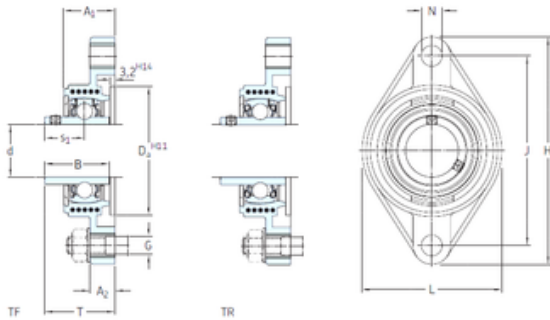




Ligao Mechanical Bearing Co., Ltd

SKF FYTBK 20 TF bearing units



Bearing No. FYTBK 20 TF

FYTBK 20 TF Bearing 2D drawings and 3D CAD models

Bore Diameter	20 mm
d	20 mm
Da	50,8 mm
s1	18,3 mm
A1	29,5 mm
B	31 mm
G	10 mm
H	112 mm
J	90 mm
L	60,5 mm
N	12 mm
T	37,3 mm
A2	15 mm
Weight	0,24 Kg
Basic dynamic load rating (C)	12,7 kN
Basic static load rating (C0)	6,55 kN
Fatigue load limit (Pu)	0,28
Category	Flange Block Bearings
Inventory	0.0
Manufacturer Name	SKF
Minimum Buy Quantity	N/A
Weight / Kilogram	0.24
EAN	7316570398168
Product Group	M06110
Number of Mounting Holes	2
Mounting Method	Set Screw



Ligao Mechanical Bearing Co., Ltd

Housing Style	2 Bolt Flange Block
Rolling Element	Ball Bearing
Housing Material	Composite
Expansion / Non-expansion	Non-expansion
Mounting Bolts	10 Millimeter
Relubricatable	Yes
Insert Part Number	YAR 204-2F
Seals	M Seal
Housing Configuration	1 Piece Solid
Pilot Configuration	No Pilot
Inch - Metric	Metric
Long Description	2 Bolt Flange Block; 20MM Bore; 90MM Bolt Circle; 90MM Bolt Spacing; 1 Piece Solid; Set Screw Mount; Composite; Ball Bearing; 31MM Length Thru Bore; Relubricatable; M Seal Seals
Other Features	Single Row Y Tech Housing Stainless Steel Insert
Category	Flange Block
UNSPSC	31171501
Harmonized Tariff Code	8483.20.40.40
Noun	Bearing
Keyword String	Flanged
Manufacturer URL	http://www.skf.com
Manufacturer Item Number	FYTBK 20 TF
Weight / LBS	0.529
Nominal Bolt Circle Diameter Round	3.5 Inch 90 Millimeter
Length Thru Bore	1.22 Inch 31 Millimeter
Cartridge Pilot Diameter	0 Inch 0 Millimeter
Bore	0.787 Inch 20 Millimeter
Bolt Spacing	3.543 Inch 90 Millimeter



Ligao Mechanical Bearing Co., Ltd

Cartridge Pilot Depth	0 Inch 0 Millimeter
bore diameter:	20 mm
radial static load capacity:	6.55 kN
bolt center-to-center length:	90 mm
length through bore:	37.3 mm
overall length/diameter:	60.5 mm
finish/coating:	Uncoated
bore type:	Round
maximum rpm:	8500 RPM
mounting type:	Two-Bolt Flange
lubrication type:	Lubrication Fitting
housing material:	Cast Iron
series:	FYTB
locking device:	Set Screw
replacement bearing:	YAR 204-2F
expansion type:	Non-Expansion Bearing (Fixed)
manufacturer upc number:	7316570398168
radial dynamic load capacity:	12.7 kN
Housing material	Composite
D_a	50.8 mm
D_b	59 mm
A	29.5 mm
A_1	15 mm
A_3	3.2 mm
A_5	18.5 mm
B_4	4.5 mm
s_1	18.3 mm
Basic dynamic load rating C	12.7 kN
Basic static load rating C_0	6.55 kN
Fatigue load limit P_u	0.28 kN
Limiting speed	8500 r/min



Ligao Mechanical Bearing Co., Ltd

Mass bearing unit	0.22 kg
Thread grub screw G ₂	M6x0.75
Hexagonal key size for grub screw N	3 mm
Recommended tightening torque for grub screw	4 N · m
Recommended diameter for attachment bolts, mm G	10 mm
Recommended diameter for attachment bolts, inch G	0.375 in