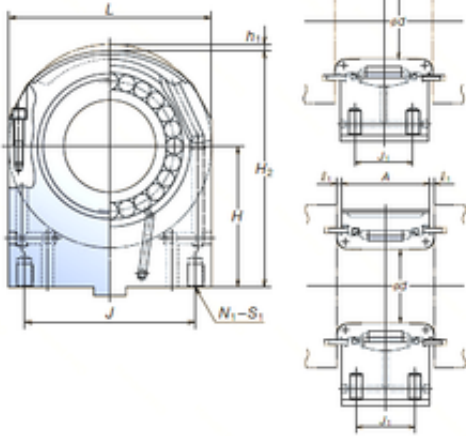




Ligao Mechanical Bearing Co., Ltd

NSK 150PCR2801 cylindrical roller bearings

Bearing No. 150PCR2801



Bore Diameter	150 mm
d	150 mm
h1	10 mm
A	184 mm
H2	305 mm
J	230 mm
L	280 mm
	8 Tolerance h14
Thread (G)	M20

150PCR2801 Bearing 2D drawings and 3D CAD models