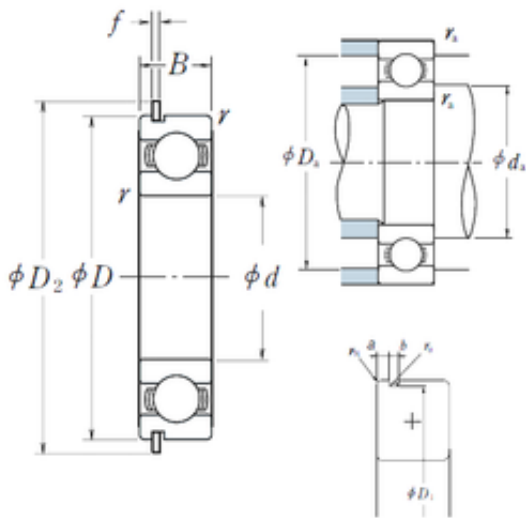




# Ligao Mechanical Bearing Co., Ltd



## 55 mm x 72 mm x 9 mm NSK 6811NR deep groove ball bearings

Bearing No. 6811NR

Size	55x72x9 mm
Bore Diameter	55 mm
Outer Diameter	72 mm
Width	9 mm
d	55 mm
D	72 mm
B	9 mm
C	9 mm
rn	0,3 mm
a	1,7 mm
b	0,95 mm
f	0,85 mm
r min.	0,3 mm
r0 max.	0,25 mm
D1	70,7 mm
D2	74,8 mm
da min.	57 mm
da max	59 mm
Da max.	70 mm
ra max.	0,3 mm
Weight	0,081 Kg
Basic dynamic load rating (C)	8,8 kN
Basic static load rating (C0)	8,5 kN
(Grease) Lubrication Speed	8 500 r/min
(Oil) Lubrication Speed	10 000 r/min

6811NR Bearing 2D drawings and 3D CAD models



## Ligao Mechanical Bearing Co., Ltd

SRI	2.46
hidYobi	6811NR
LangID	1
ro	0.25
D_	72
SREX	0.015
B_	9
da min	57
hidTable	ecat_NS RDGB
Oil rpm	10000
SRE	2.46
Cy	2.3
mass	0.081
GRS rpm	8500
ra	0.3
SRIX	0.015
D_a	70
SRIN	-0.015
C0	8.5
fo	17
SREN	-0.015
DE_	68.262
Prod_Type3	DGBB_SR_NR_OT
DA_	4.762
bomp	0
Z_	22
yobi	6811NR
Dx	76
C_conv	8800
ALPHA_	0
SDM_	63.5
r	0.3



## Ligao Mechanical Bearing Co., Ltd

KBRG	6101
SBRG	18
DI_	58.738