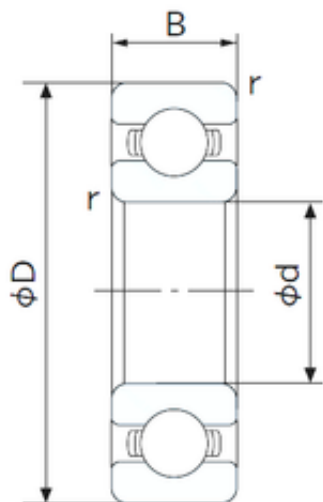




Ligao Mechanical Bearing Co., Ltd



Timken, SKF Bearing, NSK, NTN, Koyo Bearing, Kbc NACHI Bearing, Auto / Agricultural Machinery Ball Bearing 6001 6002 6003 6004 6201 6202 6203 6204 Zz 2RS C3

Bearing No. 6001

6001 Bearing 2D drawings and 3D CAD models

Size	12x28x8 mm
Bore Diameter	12 mm
Outer Diameter	28 mm
Width	8 mm
d	12 mm
D	28 mm
B	8 mm
C	8 mm
r min.	0.3 mm
da min.	14 mm
Da max.	26 mm
ra max.	0.3 mm
Weight	0.023 Kg
Basic dynamic load rating (C)	5,1 kN
Basic static load rating (C0)	2,39 kN
(Grease) Lubrication Speed	27000 r/min
Enclosure	Open
Bore Type	Cylindrical Bore
Configuration	Single Row
Bore Size	12 mm
Outside Diameter	28 mm
Width	8 mm
Fillet Radius/Chamfer	0.3 mm



Ligao Mechanical Bearing Co., Ltd

Dynamic Load Rating	5,100 N
Static Load Rating	2,390 N
Limiting Speed - Grease	28,000 rpm
Limiting Speed - Oil	32,000 rpm
Factor f_0	13.2
Radial Clearance	0.003 to 0.018 mm
d_a (min)	14 mm
D_a (max)	26 mm
r_a (max)	0.3 mm