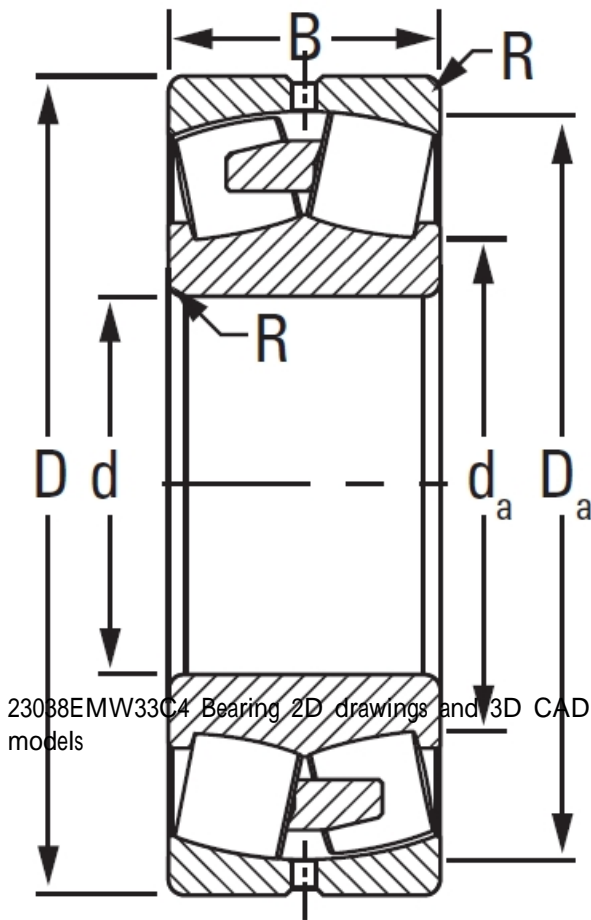




# Ligao Mechanical Bearing Co., Ltd

## 23038EMW33C4 TIMKEN Full Complement Cylindrical Roller Radial Bearings

Bearing No. 23038EMW33C4



23038EMW33C4 Bearing 2D drawings and 3D CAD models

Design Unit	METRIC
Bearing Weight	17.8 Kg
Cage Type	EM
UPC Code	087796024366
Cage Material	Brass
Superseded Part	23038YMW33C4
d	190.000 mm
D	290.000 mm
B - Inner Ring Width	75 mm
B - Outer Ring Width	75 mm
R - Inner Ring To Clear Radius <sup>1</sup>	2.0 mm
r - Outer Ring To Clear Radius <sup>2</sup>	2.0 mm
da - Inner Ring Backing Diameter	214.000 mm
Da - Outer Ring Backing Diameter	270.000 mm
C0 - Static Radial Rating	1580000 N
C1(2) - Dynamic Radial Rating (Two-Rows)	1060000 N
e - ISO Factor <sup>3</sup>	0.23
Y0 - ISO Factor <sup>4</sup>	3
Y1 - ISO Factor <sup>5</sup>	4.47
Y2 - ISO Factor <sup>6</sup>	2.93
Reference Thermal Speed Rating (Grease)	1600



## Ligao Mechanical Bearing Co., Ltd

Reference Thermal Speed Rating (Oil) <sup>7</sup>	1900
Cg - Geometry Factor <sup>8</sup>	0.1001