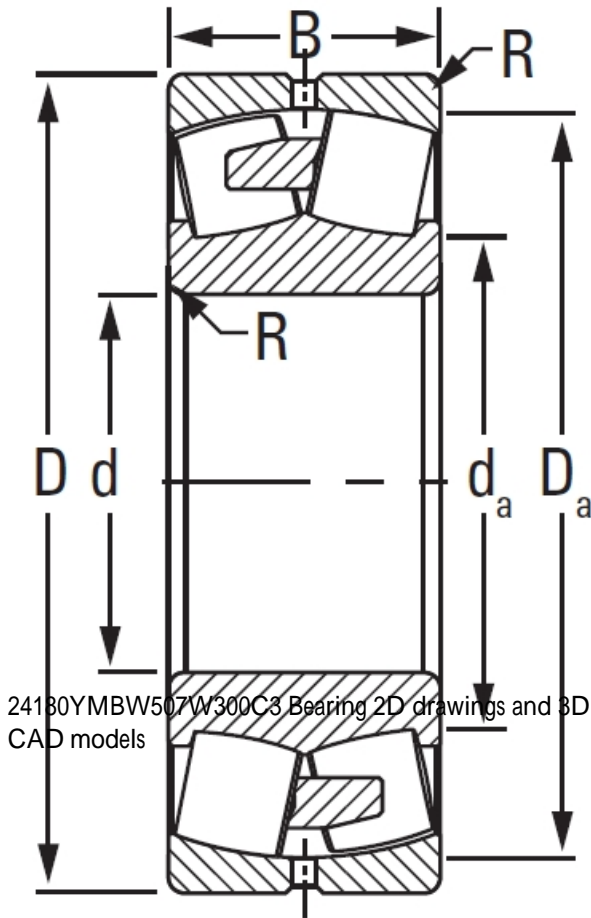




# Ligao Mechanical Bearing Co., Ltd

## 24180YMBW507W300C3 TIMKEN Full Complement Cylindrical Roller Radial Bearings

Bearing No. 24180YMBW507W300C3



24180YMBW507W300C3 Bearing 2D drawings and 3D CAD models

Design Unit	METRIC
Bearing Weight	322.30 Kg
Cage Type	YMB
Cage Material	Brass
d	400.000 mm
D	650.000 mm
B - Inner Ring Width	250 mm
B - Outer Ring Width	250.000 mm
R - Inner Ring To Clear Radius <sup>1</sup>	5.000 mm
r - Outer Ring To Clear Radius <sup>2</sup>	5.000 mm
da - Inner Ring Backing Diameter	449.000 mm
Da - Outer Ring Backing Diameter	594.000 mm
C0 - Static Radial Rating	10400000 N
C1(2) - Dynamic Radial Rating (Two-Rows)	5810000 N
e - ISO Factor <sup>3</sup>	0.35
Y0 - ISO Factor <sup>4</sup>	1.91
Y1 - ISO Factor <sup>5</sup>	2.84
Y2 - ISO Factor <sup>6</sup>	1.87
Reference Thermal Speed Rating (Grease)	290
Reference Thermal Speed Rating (Oil) <sup>7</sup>	310
Cg - Geometry Factor <sup>8</sup>	0.0922



# Ligao Mechanical Bearing Co., Ltd