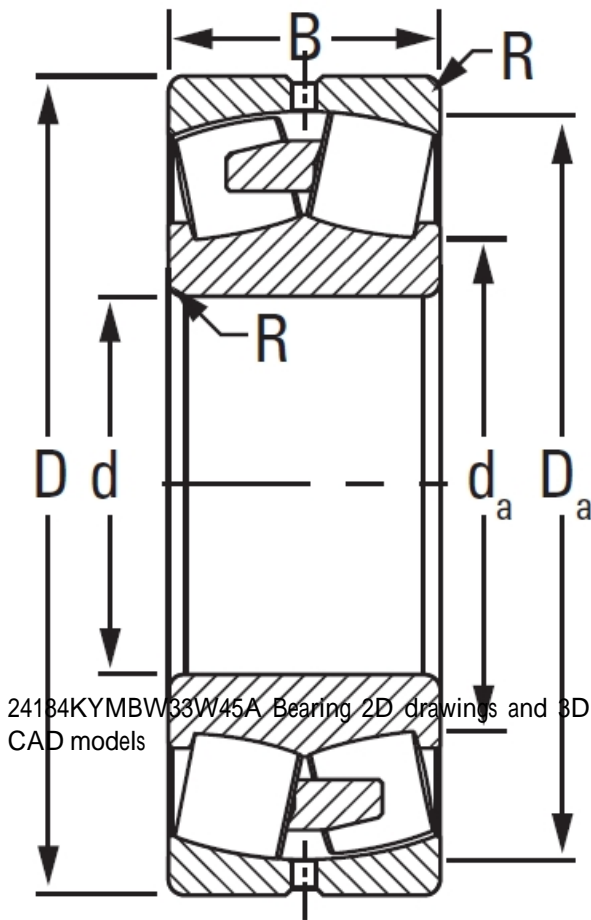




Ligao Mechanical Bearing Co., Ltd

24184KYMBW33W45A TIMKEN Full Complement Cylindrical Roller Radial Bearings

Bearing No. 24184KYMBW33W45A



24184KYMBW33W45A Bearing 2D drawings and 3D CAD models

Design Unit	METRIC
Bore Taper	1/30
Bearing Weight	432.600 Kg
Cage Type	YMB
Cage Material	Brass
d	420.000 mm
D	700.000 mm
B - Inner Ring Width	280 mm
B - Outer Ring Width	280.000 mm
R - Inner Ring To Clear Radius ¹	5.000 mm
r - Outer Ring To Clear Radius ²	5.000 mm
da - Inner Ring Backing Diameter	474.000 mm
Da - Outer Ring Backing Diameter	636.000 mm
C0 - Static Radial Rating	12400000 N
C1(2) - Dynamic Radial Rating (Two-Rows)	6990000 N
e - ISO Factor ³	0.37
Y0 - ISO Factor ⁴	1.81
Y1 - ISO Factor ⁵	2.7
Y2 - ISO Factor ⁶	1.77
Reference Thermal Speed Rating (Grease)	260
Reference Thermal Speed Rating (Oil) ⁷	270



Ligao Mechanical Bearing Co., Ltd

Cg - Geometry Factor ⁸	0.0957
-----------------------------------	--------